

CME-55LC



Low clearance drill



The CME-55LC has a unique feed and retract system and a quick disconnect mast that allows you to work under service station canopies, bridges or other overhead restrictions. The overall set-up height with the mast disconnected is only 12 foot, 1 inch when mounted on the CME-300 tracked carrier. A truck mounted CME-55LC is also available.

Disconnecting the mast is quick and easy. You simply clamp it to its storage rack while in the horizontal position and extend the drill's in-out slide base. This pulls the sockets on the upright drill frame away from the large tapered pins on the mast.

The CME-55LC gives you all the power and productivity of a full-sized CME-55. It is also available with many of the same options to help get the job done as efficiently as possible. It can be equipped with in/out and sideways slide bases, auger racks, tool boxes, automatic SPT hammer and more.



The optional SPT hammer even has a separate valve for lifting the hammer when working in the low clearance mode that restricts the height that the hammer can be raised.

The CME-55LC and the CME-300 remote controlled tracked carrier make an excellent team for low clearance drilling jobs. Since the CME-300 is designed specifically for carrying drill rigs, there are no compromises. It has the best center of gravity for both driving and drilling. And you won't find a more rugged carrier in its class. The planetary drives and triple walking beam suspension allow this machine to climb hills, traverse mud, sand, rocks, and snow...all while your operator's feet are planted firmly on the ground.

And since the rubber tracks will not damage most pavement, you can also use this rig anywhere you might use a truck mounted drill.

The CME-55LC. Low clearance, high performance.

CME-55LC



Low clearance drill

Power

Cummins QSF 3.8 L (229 cubic inch) turbocharged and charge air-cooled 4 cylinder diesel engine

Carrier

Track width 17.7 in. (45 cm)
Avg. ground bearing pressure 4.5 psi (.316 kg/cm²)
Suspension triple walking beams
Turning radius in place
Drive hydraulic motor/planetary wheel drives
Steering remote radio controlled guidance
Hydraulic front winch 15,000 lb. (6,804 kg)
Auger & rod racks standard
Tool boxes standard

Gradeability

Straight ahead climb.....50% grade
Side-hill traverse.....36% grade

Rotary Drive

Clutch, heavy duty.....13 inch (33 cm)
Transmission.....5 speed forward, 1 speed reverse

Standard:

Rotary torque7,700 foot pounds (10,472 Nm) max
Rotary speed.....up to 800 rpm max

High torque:

Rotary torque..... 9,400 foot pounds (12,784 Nm) max
Rotary speed.....up to 665 rpm max
Hollow spindle I.D.....2 3/4 inch (3 3/4 inch avail.)

Hydraulic Feed System

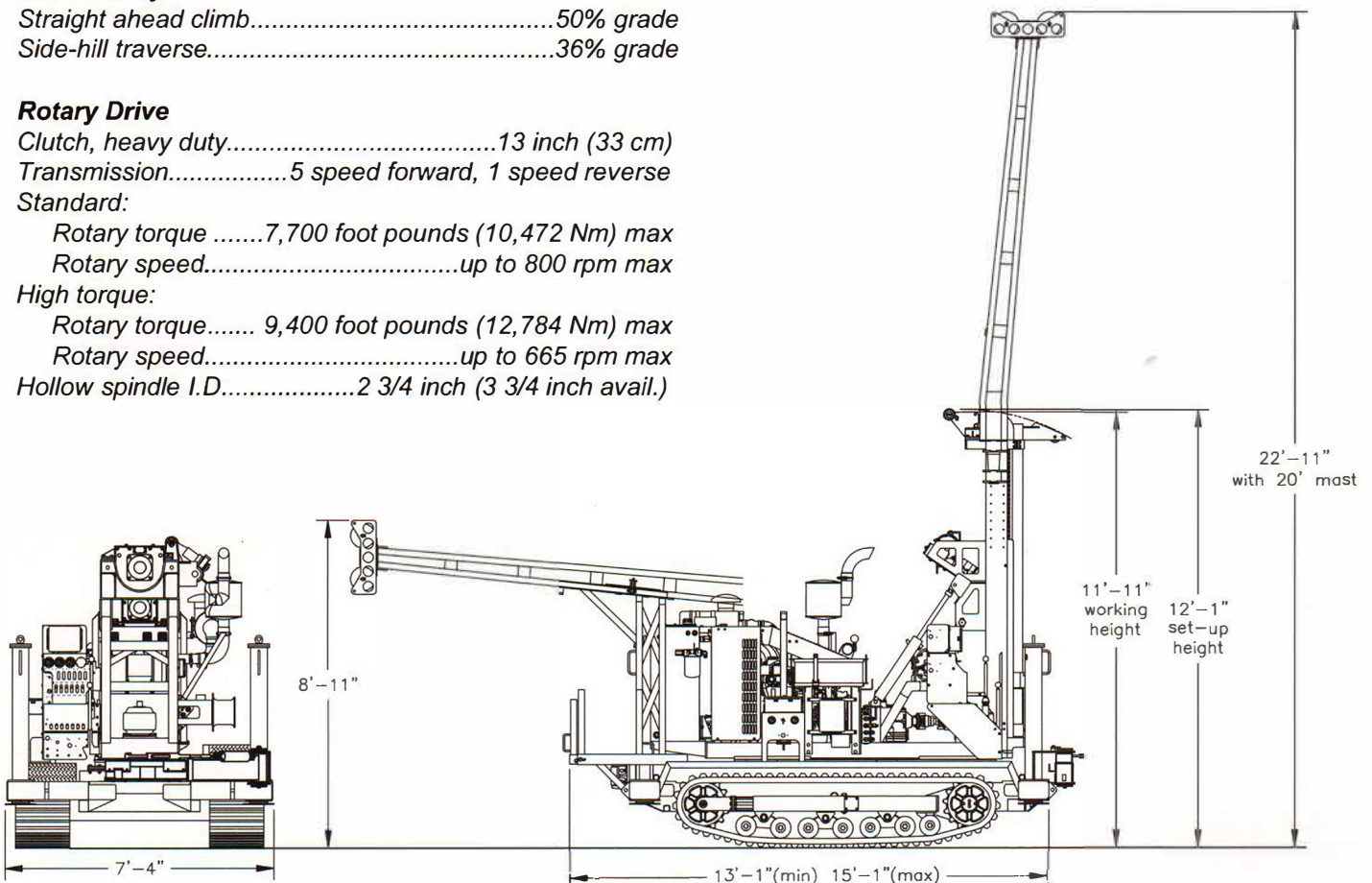
Retract force.....27,615 pounds (12,526 Kg)
Pulldown force.....19,750 pounds (8,958 Kg)
Retract rate (max).....45 feet (13.7 m) per minute
Rapid retract rate (max).....95 feet (29 m) per minute
Feed rate (max).....65 feet (19.8 m) per minute
Stroke.....72 inch (183 cm)

Leveling System

Four jacks, inverted design with chrome-plated piston rods enclosed at all times
Stroke.....36 in. (91 cm)

Weight (Approximate)

Empty.....17,000 lbs.(7,711 kg)



CENTRAL MINE EQUIPMENT COMPANY

4215 Rider Trail North, Earth City (St. Louis), MO. 63045
Phone: 314-291-7700 • 1-800-325-8827 • FAX: 314-291-4880
E-mail: info@cmeco.com • Website: www.cmeco.com

Performance ratings are based on engineering specifications, calculations and accepted industry standards. Capacities may vary according to drilling conditions. CME reserves the right to amend these specifications at any time, without notice.
MKT55LC 102 1M 6/10 Rev 04/19